



PWL12V38 12V 33Ah-8Hr

HIGH TEMPERATURE SUPER LONG LIFE BATTERY with *HT Element X Alloy™*

TECHNICAL DATA SHEET



HIGH TEMPERATURE LONG LIFE DESIGN

- + *HT Element X Alloy™* extends life in high temp applications
- + Additives to maintain compression
- + Designed to control charging current as temperature increases
- + No thermal runaway
- + Epoxy sealed terminals to prevent post leaks
- + Rugged ABS cases to minimize handling damage

13+ YEAR DESIGN LIFE

- + Exceeds Telcordia GR-1200 criteria
- + Greater than 6.5 years at 35°C

COMPLIANCE

- + VZ TPR-9802
- + GR-4228
- + GR-1089
- + GR-63 NEBS

SAFETY

- + UL 94V-0
- + UL 1989

SPECIFICATIONS

MODEL	NOMINAL VOLTAGE (V)	*RATED CAPACITY at 8 Hr (Ah)	** OPERATING RANGE	L		W		H		TH		WEIGHT		TERMINAL
				mm	in.	mm	in.	mm	in.	mm	in.	kg	lbs.	
PWL12V38	12	33	-40 to 65°C (-40 to 149°F)	197	7.8	163	6.4	174	6.9	174	6.9	14.0	30.8	Top-M5 Stud

*Maximum Charge Current is 25% of the 8 Hr. Rate

**Refer to Product Manual for optimum temperature range

AMPERES TO FINAL VOLTAGE: 1.75V@25°C (77°F)

MODEL	DISCHARGE TIME (Hr)										
	2	3	4	5	6	7	8	9	10	12	20
PWL12V38	12.9	9.2	7.3	6.1	5.2	4.6	4.1	3.7	3.4	2.9	1.9

WATTS TO FINAL VOLTAGE: 1.75V@25°C (77°F)

MODEL	DISCHARGE TIME (Hr)										
	2	3	4	5	6	7	8	9	10	12	20
PWL12V38	153	112	89	74	63	56	50	45	41	35	22



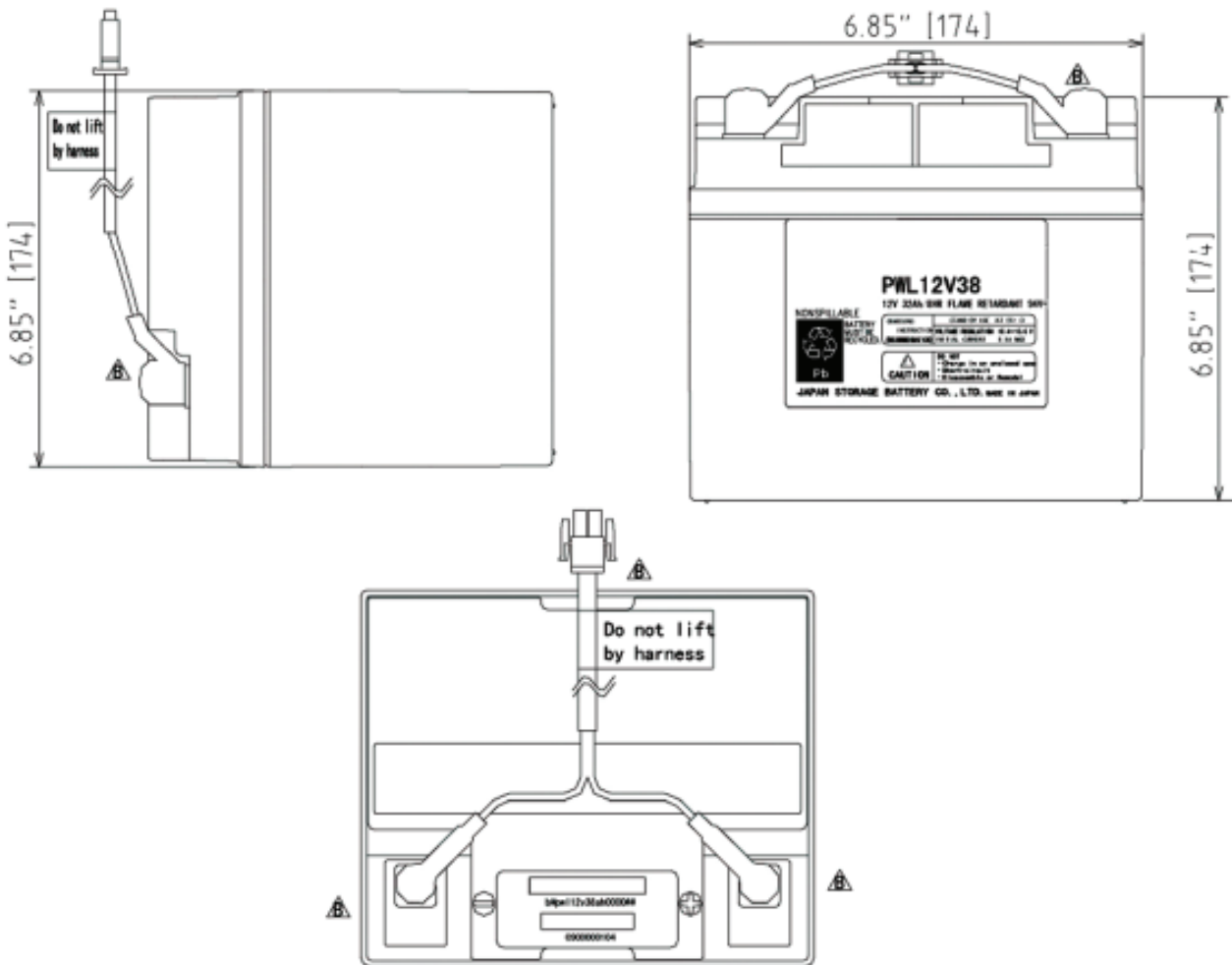
POWERING THE NEXT GENERATION



PWL12V38 12V 33Ah-8Hr

HIGH TEMPERATURE SUPER LONG LIFE
BATTERY with *HT Element X Alloy™*

units: mm



- Float Charge Voltage: 13.65 ±0.15 @ 25°C
- Temperature Compensation: Adjust float charge voltage +3mV/°C/cell for temperatures <25°C; -3mV/°C/cell for temperatures >25°C.
- Internal Resistance: Approximately 7mΩ measured with 1kHz AC bridge
- Terminal Torque: 22.1 in-lbs. (2.5Nm)

ABOUT GS YUASA ENERGY SOLUTIONS, INC.

GS Yuasa Energy Solutions, Inc. is an American subsidiary of GS Yuasa Corporation, the world's second largest battery company and a 100+ year old Japanese corporation. GS Yuasa Energy Solutions (GYES) was formed in 2019 to address the growing energy storage and reserve power markets. GYES brings together and leverages GS Yuasa Group's advanced technologies with proven American market successes in lithium, telecom, UPS, alarm & security, and energy storage into a single business unit.



GS Yuasa Energy Solutions, Inc.
1150 Northmeadow Pkwy. Suite 110
Roswell, GA 30076 (800) 472-2879
www.gsyuasa-es.com

