



SWUF590-12FR

12V 587Wpc UPS BATTERY with *HT Element X Alloy™*

TECHNICAL DATA SHEET



LONG LIFE DESIGN

- + *HT Element X Alloy™* extends life in high temp applications
- + Primary lead for long life
- + Low calcium alloy for long life
- + Additives to maintain compression
- + Designed to control charging current as temperature increases
- + No thermal runaway
- + Epoxy sealed terminals to prevent post leaks
- + Rugged ABS cases to minimize handling damage
- + AGM Technology enables Spill Proof Operation
- + High gas recombination efficiency

10 YEAR DESIGN LIFE

- + Standby application

CAPACITY RANGE

- + 587Wpc (15 min. rate @ 25°C)

COMPLIANCE

- + UL 1989
- + ISO 9001:2000 factory manufactured
- + UL 94V-0



SPECIFICATIONS

MODEL	NOMINAL VOLTAGE (V)	Watts per batt @25°C FV1.67 15min	* OPERATING TEMP RANGE	L		W		H		TH		WEIGHT		TERMINAL
				mm	in.	mm	in.	mm	in.	mm	in.	kg	lbs.	
SWUF590-12FR	12	3524	-40 to 65°C (-40 to 149°F)	556	21.89	125	4.92	280	11.02	280	11.02	52.7	116.18	Top M8 Front M6

*Refer to Product Manual for optimum temperature range

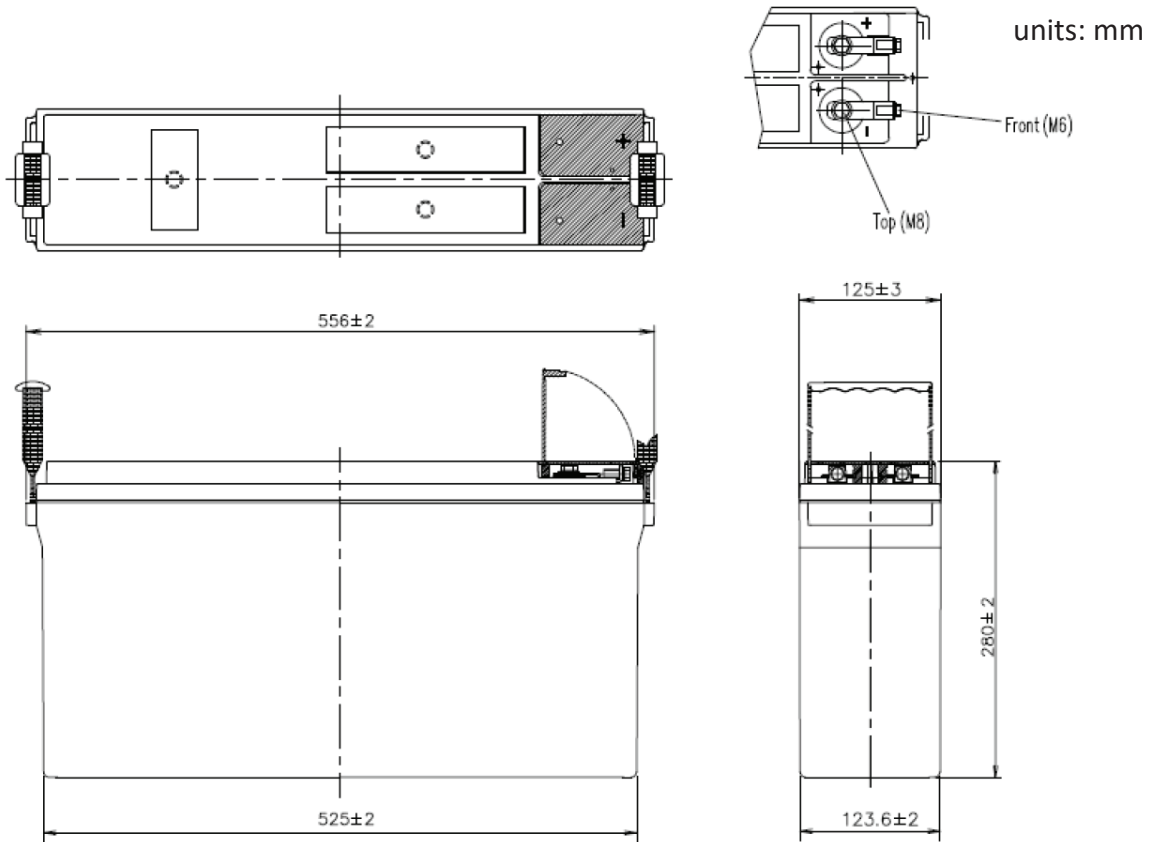
DISCHARGE WATTS PER CELL @ 25°C

FV	DISCHARGE TIME (Min.)					
	5	10	15	20	30	60
1.80	725	605	520	442	333	198
1.75	811	660	555	463	348	205
1.70	882	703	579	476	356	208
1.67	910	719	587	480	359	209



SWUF590-12FR

12V 585Wpc UPS BATTERY TECHNICAL DATA SHEET



- **Recommended Float Charge Voltage: 13.65V +/- 0.15V**
- **Recommended Temperature Compensation: 3mv/°C/cell**
- **Internal Resistance: Approximately 3.5 mΩ measured with 1kHz AC bridge**
- **Terminal Torque (Front, 6mm) 4.9 Nm (43.4 in-lb.)**
- **Terminal Torque (Top, 8mm) 11.9 Nm (105.32 in-lb.)**
- **Maximum 5 Second Discharge Current: 960A**

ABOUT GS YUASA ENERGY SOLUTIONS, INC.

GS Yuasa Energy Solutions, Inc. is an American subsidiary of GS Yuasa Corporation, the world's second largest battery company and a 100+ year old Japanese corporation. GS Yuasa Energy Solutions (GYES) was formed in 2019 to address the growing energy storage and reserve power markets. GYES brings together and leverages GS Yuasa Group's advanced technologies with proven American market successes in lithium, telecom, UPS, alarm & security, and energy storage into a single business unit.



GS Yuasa Energy Solutions, Inc.
1150 Northmeadow Pkwy. Suite 110
Roswell, GA 30076 (800) 472-2879
www.gsyuasa-es.com

