



# SWUF630-12FR

12V 633Wpc UPS BATTERY with *HT Element X Alloy™*

## TECHNICAL DATA SHEET



### LONG LIFE DESIGN

- + *HT Element X Alloy™* extends life in high temp applications
- + Primary lead for long life
- + Low calcium alloy for long life
- + Additives to maintain compression
- + Designed to control charging current as temperature increases
- + No thermal runaway
- + Epoxy sealed terminals to prevent post leaks
- + Rugged ABS cases to minimize handling damage
- + AGM Technology enables Spill Proof Operation
- + High gas recombination efficiency

### 10 YEAR DESIGN LIFE

- + Standby application

### CAPACITY RANGE

- + 633Wpc (15 min. rate @ 25°C)

### COMPLIANCE

- + UL 1989
- + ISO 9001:2000 factory manufactured
- + UL 94V-0

## SPECIFICATIONS

MODEL	NOMINAL VOLTAGE (V)	Watts per batt @25°C FV1.67 15min	* OPERATING TEMP RANGE	L		W		H		TH		WEIGHT		TERMINAL
				mm	in.	mm	in.	mm	in.	mm	in.	kg	lbs.	
SWUF630-12FR	12	3800	-40 to 65°C (-40 to 149°F)	556	21.89	125	4.92	317	12.48	317	12.48	60.7	133.82	Top M8 Front M6

\*Refer to Product Manual for optimum temperature range

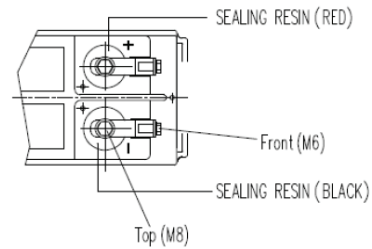
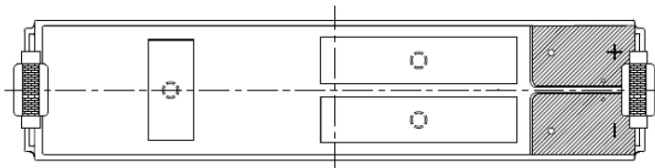
### DISCHARGE WATTS PER CELL @ 25°C

FV	DISCHARGE TIME (Min.)					
	5	10	15	20	30	60
1.80	786	655	554	476	364	220
1.75	876	713	589	497	378	227
1.70	963	767	621	516	392	233
1.67	1000	789	633	523	396	235

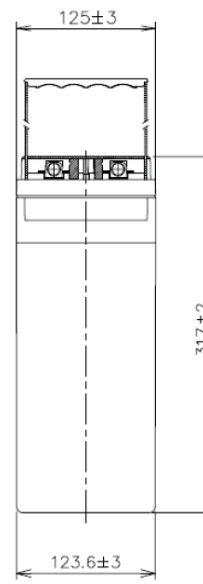
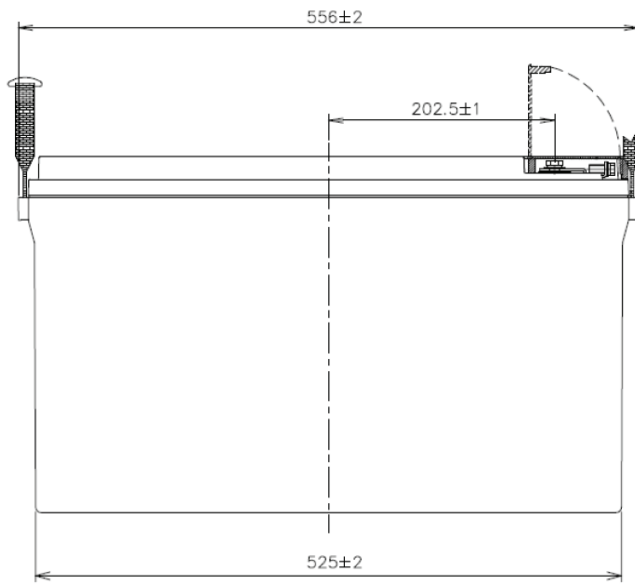


# SWUF630-12FR

## 12V 633Wpc UPS BATTERY TECHNICAL DATA SHEET



units: mm



- **Recommended Float Charge Voltage: 13.65V +/- 0.15V**
- **Recommended Temperature Compensation: 3mv/°C/cell**
- **Internal Resistance: Approximately 3.5 mΩ measured with 1kHz AC bridge**
- **Terminal Torque (Front, 6mm) 4.9 Nm (43.4 in-lb.)**
- **Terminal Torque (Top, 8mm) 11.9 Nm (105.32 in-lb.)**
- **Maximum 5 Second Discharge Current: 1000A**

### ABOUT GS YUASA ENERGY SOLUTIONS, INC.

GS Yuasa Energy Solutions, Inc. is an American subsidiary of GS Yuasa Corporation, the world's second largest battery company and a 100+ year old Japanese corporation. GS Yuasa Energy Solutions (GYES) was formed in 2019 to address the growing energy storage and reserve power markets. GYES brings together and leverages GS Yuasa Group's advanced technologies with proven American market successes in lithium, telecom, UPS, alarm & security, and energy storage into a single business unit.



GS Yuasa Energy Solutions, Inc.  
1150 Northmeadow Pkwy. Suite 110  
Roswell, GA 30076 (800) 472-2879  
[www.gsyuasa-es.com](http://www.gsyuasa-es.com)

